

**NKI22/20-XL**

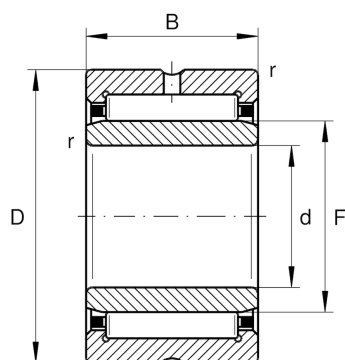
Needle roller bearing

Schaeffler ID:  
0507620360000

Needle roller bearings NKI, light series

X-life

## Technical information

**Main Dimensions & Performance Data**

d	22 mm	Bore diameter
D	34 mm	Outside diameter
B	20 mm	Width
$C_r$	22,000 N	Basic dynamic load rating, radial
$C_{0r}$	32,000 N	Basic static load rating, radial
$C_{ur}$	5,700 N	Fatigue load limit, radial
$n_G$	17,200 1/min	Limiting speed
$n_{gr}$	9,300 1/min	Reference speed
	65.78 g	Weight

**Dimensions**

F	26 mm	Raceway diameter inner ring
$r_{min}$	0.3 mm	Minimum chamfer dimension
s	0.5 mm	Axial displacement

**Temperature range**

$T_{min}$	-30 °C	Operating temperature min.
$T_{max}$	120 °C	Operating temperature max.